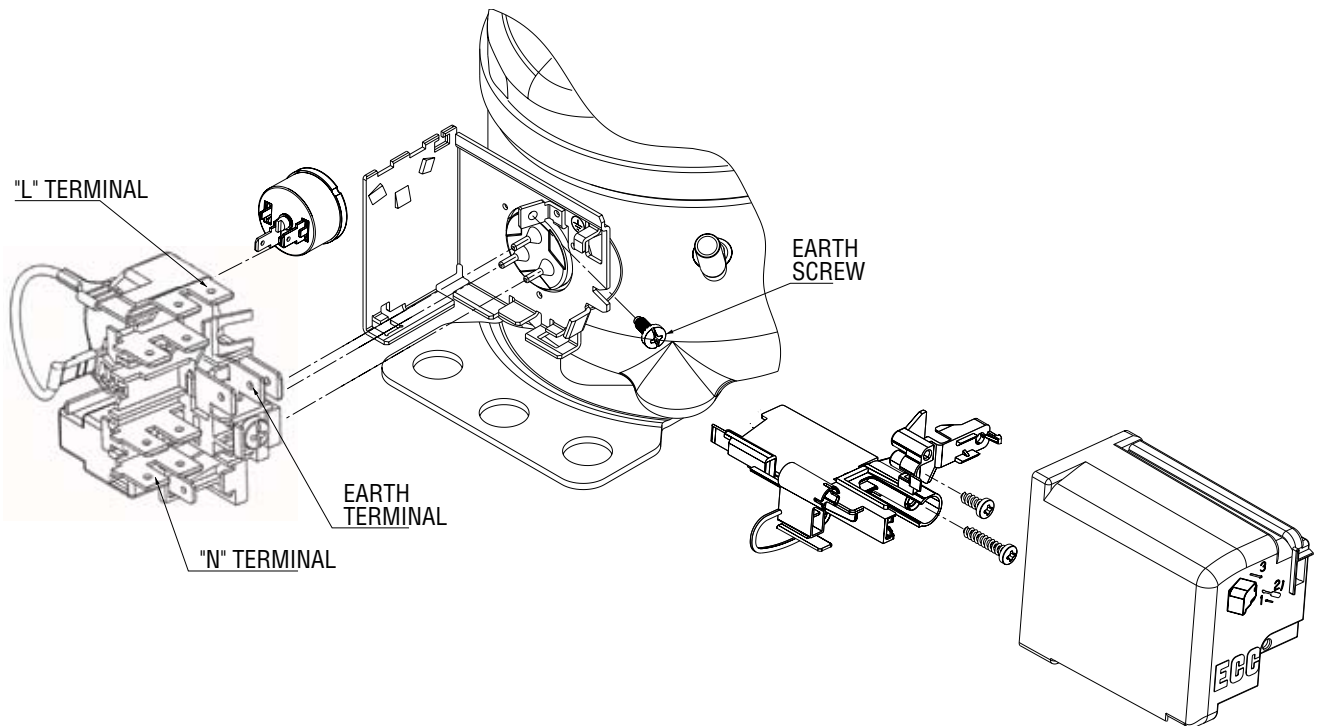


BUNN®

Replacement Compressor Wiring Instructions

NOTE: This replacement compressor may have different electrical connection points than the compressor being replaced. Please review the diagram below before making the electrical connections.



BUNN-O-MATIC CORPORATION

POST OFFICE BOX 3227

SPRINGFIELD, ILLINOIS 62708-3227

PHONE: (217) 529-6601 FAX: (217) 529-6644

