

### INTRODUCTION

The following instructions are for the replacement of the rear cover and door window of the PAF dispenser. The new window and rear cover allow for easier cleaning and reassembly of the door window.

### Kit Contents

Inventory this kit for completeness before proceeding.

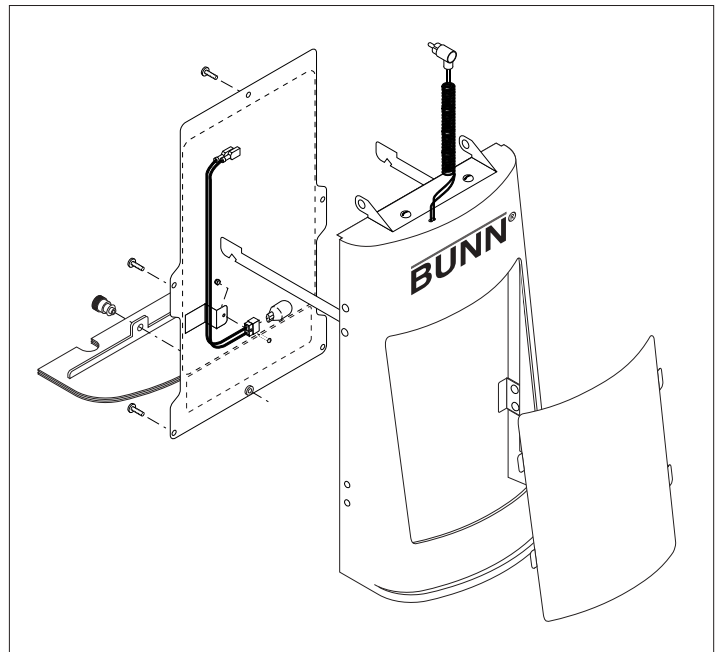
Rear Cover Assembly (Includes Decals and Lamp Assembly)  
Window Assembly (Includes Captive Screw)  
Instruction Sheet

### INSTRUCTIONS

1. Disconnect the door lamp cord from the receptacle at the rear of the refill unit.
2. Open the dispenser door.
3. Remove and set aside the five screws securing the door's rear cover to the plastic door.
4. Carefully lower the door rear cover and disconnect the lamp wires from the door-mounted cord.
5. Remove the door rear cover and discard.
6. Remove the clear window from the plastic door and discard.

**NOTE:** The new rear cover assembly comes already assembled.

7. Attach the lamp wires on the new door rear cover to the door-mounted cord.
8. Attach the new door rear cover to the plastic door with the five screws set aside in step 2.
9. Install the new clear plastic window into the plastic door, taking care to align the channel in the window with the flange on the door.
10. Secure the new window to the door rear cover by pushing on and turning the captive screw in the clockwise direction until tight.
11. Close the dispenser door.
12. Reconnect the door lamp cord to the receptacle at the rear of the refill unit.



## BUNN-O-MATIC CORPORATION

POST OFFICE BOX 3227

SPRINGFIELD, ILLINOIS 62708-3227

PHONE: (217) 529-6601 FAX: (217) 529-6644