

BUNN®

MODEL PAF/PAFA WATER BYPASS KIT #42837.0000

Introduction:

This Kit includes instructions for installing a new 3-position On/Off switch that will allow you to run the product in Ultra hopper low. The third position of the switch does this by grounding the level probe making the PAF think it is full.

Kit Contents:

28857.0000	1	3-Position ON/OFF Switch
42783.0000	1	Harness Assy
29788.0001	1	Decal, ON/OFF
29780.0002	1	Schematic Decal
42836.0001	-	Instructions

Instructions:

1. Remove powder hoppers from the PAF.
2. Unplug PAF.
3. Shut off water.
4. Disconnect water from PAF.
5. Relocate PAF to workspace.
6. Remove 4 screws from the hopper panel and remove panel.
7. Remove 6 screws from the rear panel and remove panel.
8. Disconnect 2 wires from ON/OFF switch.
9. Remove ON/OFF switch.
10. Remove ON/OFF switch decal.
11. Install new ON/OFF switch decal.
12. Assemble harness to new switch. (FIG. 1)
13. Install new switch and harness assembly.
14. Attach 2 wires removed from old switch to new switch. (FIG. 2)

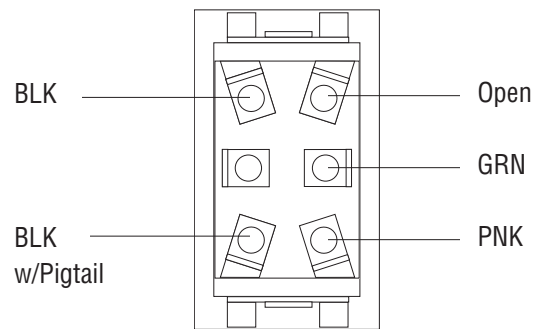


FIG. 1

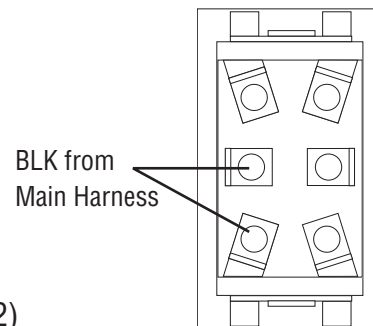


FIG. 2

P1318

(Continued)

BUNN-O-MATIC CORPORATION

POST OFFICE BOX 3227

SPRINGFIELD, ILLINOIS 62708-3227

PHONE: (217) 529-6601 FAX: (217) 529-6644



Instructions (Continued)

15. Install hopper panel with and secure with 4 screws previously removed.
16. From the rear of the unit attach pink wire from harness to level probe.
17. Install green wire to ground stud.

NOTE: The main ground from cord must remain secured with its own nut all the other grounds can be stacked and secured with second nut. Be sure all are tight.

18. Apply supplied schematic decal over the existing schematic on the rear cover.
19. Install rear cover and secure with 6 screws previously removed.
20. Place PAF back in position on the ULTRA.
21. Reconnect power and water.
22. If completed and do not need to do other PAF, turn water on.
23. Test PAF for correct operation.

SCHEMATIC WIRING DIAGRAM PAF/PAFA

